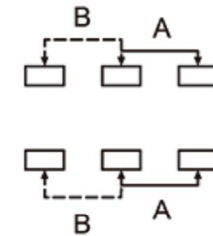
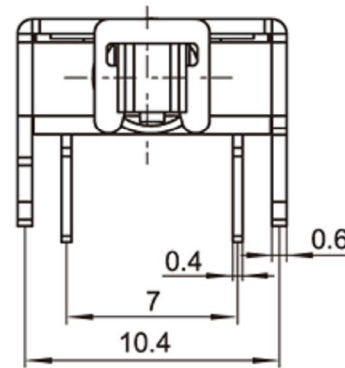
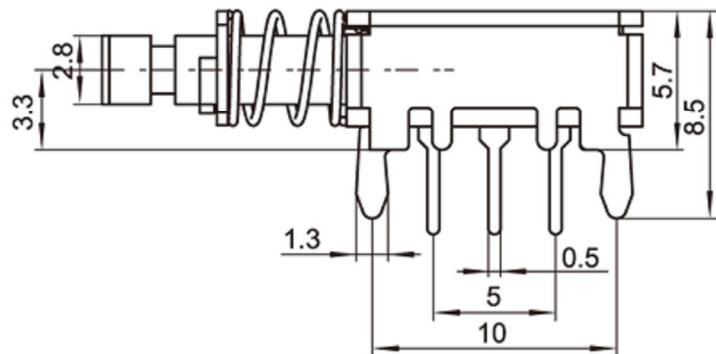
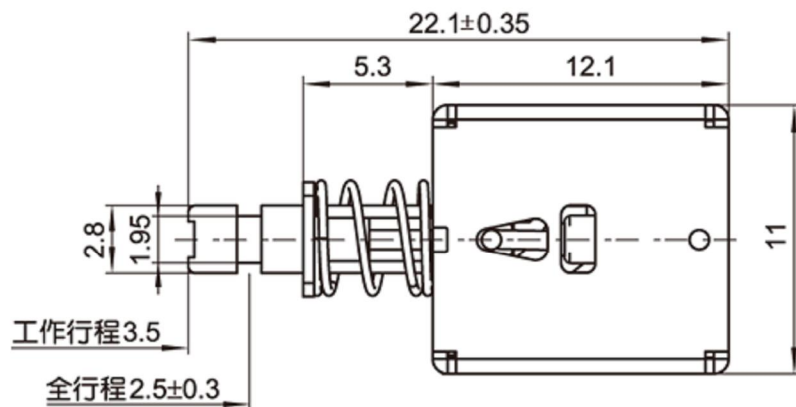


CAD FILE:



**SCHEMATIC (NON-SHORTING)**



NO.	PARTS	MATERIALS	Q'TY	FINISH	TOLERANCE UNLESS SPECIFIED		ISSUE			DATE			DESCRIPTIONS OF REVISION			APPD.
8					WITHIN 1.5mm : ±0.1mm											
7					OVER 1.5mm : ±0.2mm											
6	CONTACT CLIP	PBS C5210R-EH	2	Ag CLAD												
5	SPRING	SUS	1	NATURAL												
4	TERMINAL	PBT/BRASS STRIP	2	BLUE/Ag PLATED OVER Ni PLATED	TITLE : Push Switch (XB Series)		UNIT : mm			DRWG NO.: XB-PS-22E11D						
3	CASE	PBT	1	BLACK	MODEL: XB-PS-22E11D		SCALE: 4:1			DWN.						
2	COVER	POM	1	BLACK						CHK'D						
1	KNOB	POM	1	WHITE/BLUE						APPD.						
					DONG GUAN XI BANG ELECTRONICS CO., LTD											